

# CB ANTI VIBRATION MOUNTS



AMC-MECANOCAUCHO® type CB anti vibration mounts are installed in pairs. Installation is simplified as both mounts are fixed with one through bolt and washers at each end of the installed mount.

The CB mount is provided with a built in radial wear plate that prevents the elastomeric element coming into contact with the sharp edges of laser cut holes in support frames or structures that can cause friction in traditionally used semi-bonded mounts. This wear plate reduces the need to machine radius or chamfer holes, reducing cost. The specific design permits high dynamic loading whilst limiting movement due to their multi-axial snubbing.

## TECHNICAL CHARACTERISTICS

- The AMC-MECANOCAUCHO® Type CB is radially 30% softer than axially. This feature is especially interesting for those machines or equipment where radial axis vibration isolation is important.
- The mount is provided with a built in snubbing system that allows the following maximum displacements:
  - Vertical: +/- 6 mm
  - Horizontal: +/- 3mm
- The mount can be supplied in two different sizes and in different hardness compounds to accommodate applications from 30 to 550 Kg per mount.
- Metal parts are embedded in rubber in order to prevent corrosion.

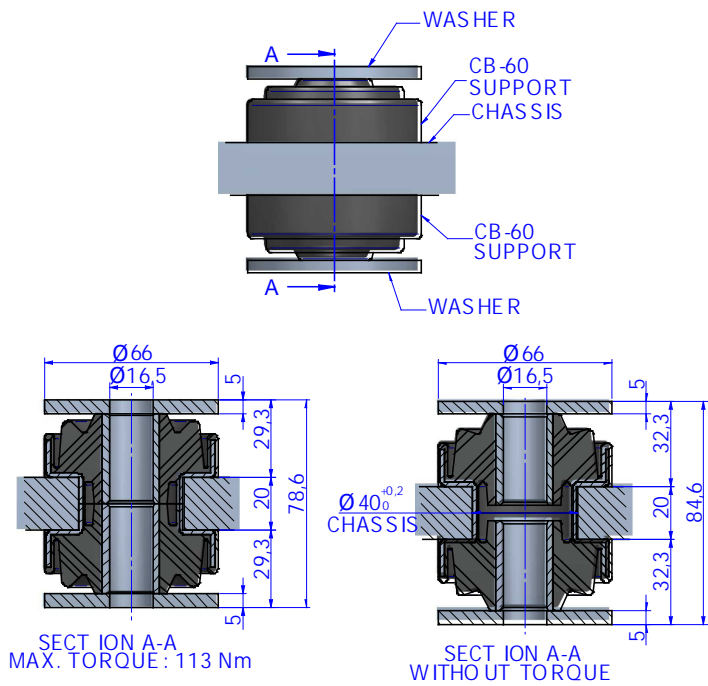
## APPLICATIONS

- Agricultural or construction equipment cabins, engines, radiators, transmission ,battery boxes.
- Marine equipment
- Mobile Generators or compressors.
- Chassis frames for Military, Bus, Truck, Motorhome and Emergency vehicles.



# CB ANTI VIBRATION MOUNTS

## DRAWINGS

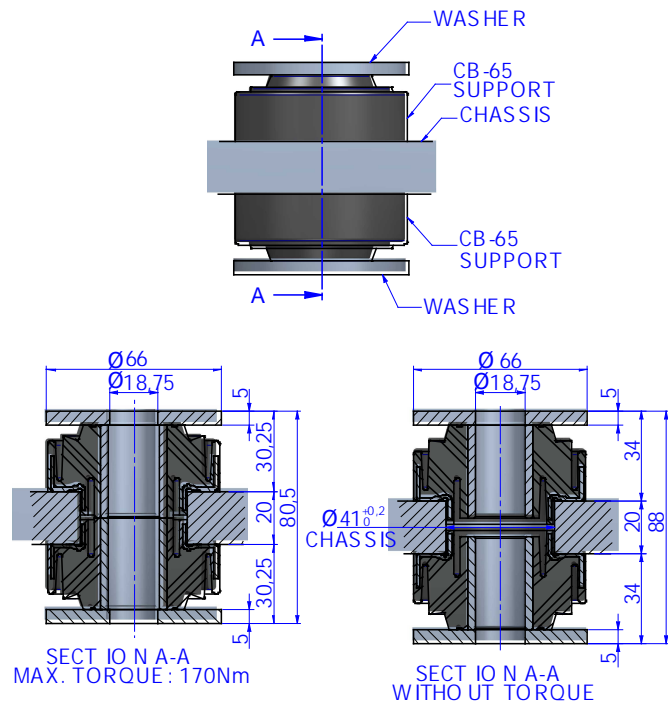


## DIMENSIONS

Type	T (Max.)	T (Min.)	Weight (gr.)	WASHER	BOLT SIZE (Metric)	BOLT SIZE (Imperial)	Shore	Max. Load (kg)	Code
CB 60	20	20	140	606130	M16	5/8"	45 Sh	70	156011
							55 Sh	120	156013
							65 Sh	170	156014

# CB ANTI VIBRATION MOUNTS

## DRAWINGS

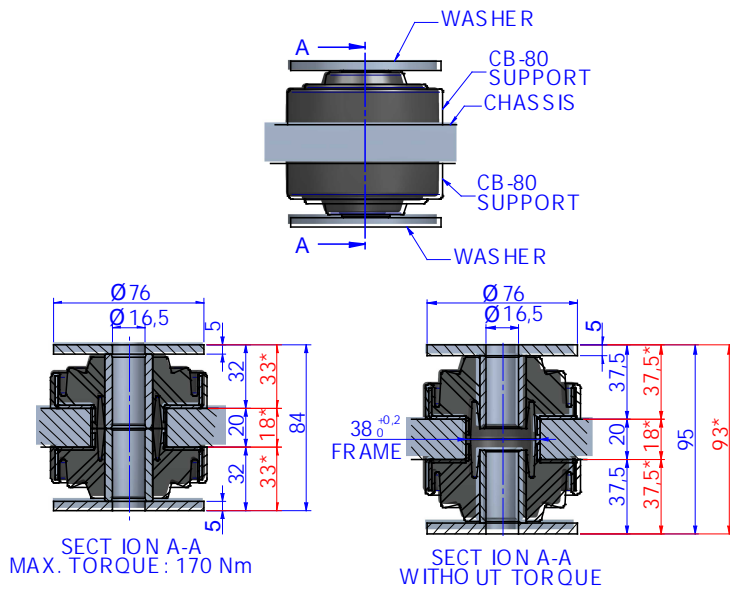


## DIMENSIONS

Type	T (Max.)	T (Min.)	Weight (gr.)	WASHER	BOLT SIZE (Metric)	BOLT SIZE (Imperial)	Shore	Max. Load (kg)	Code
CB 65	20	20	175	706004	M18	11/16"	45 Sh	70	156031
							55 Sh	120	156032
							65 Sh	170	156033

# CB ANTI VIBRATION MOUNTS

## DRAWINGS



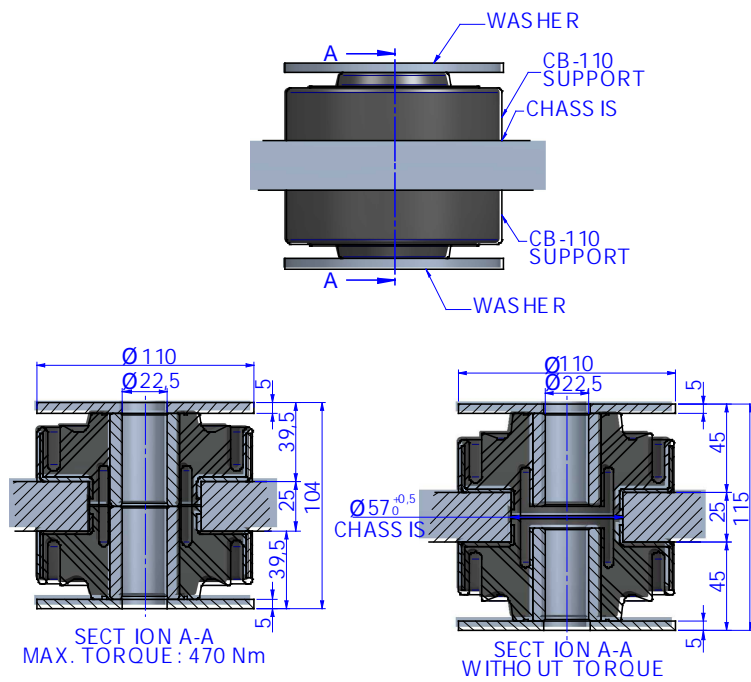
\* FRAME THICKNESS OF 18 mm

## DIMENSIONS

Type	T (Max.)	T (Min.)	Weight (gr.)	WASHER	BOLT SIZE (Metric)	BOLT SIZE (Imperial)	Shore	Max. Load (kg)	Code
CB 80	20	18	242	608074	M16	5/8"	45 Sh	90	156001
							55 Sh	140	156002
							65 Sh	200	156003

# CB ANTI VIBRATION MOUNTS

## DRAWINGS

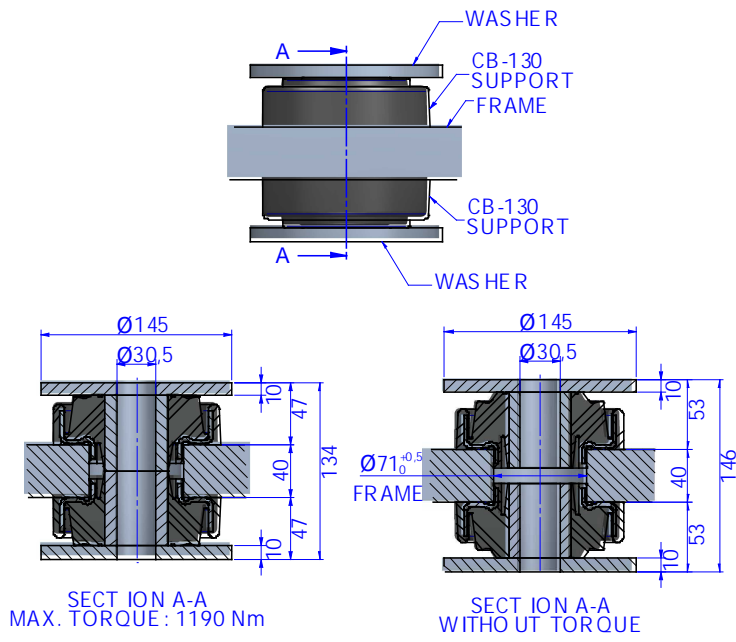


## DIMENSIONS

Type	T (Max.)	T (Min.)	Weight (gr.)	WASHER	BOLT SIZE (Metric)	BOLT SIZE (Imperial)	Shore	Max. Load (kg)	Code
CB 110	25	25	630	610192	M22   M20	7/8"   3/4"	45 Sh	235	156021
							55 Sh	375	156022
							65 Sh	550	156023

# CB ANTI VIBRATION MOUNTS

## DRAWINGS

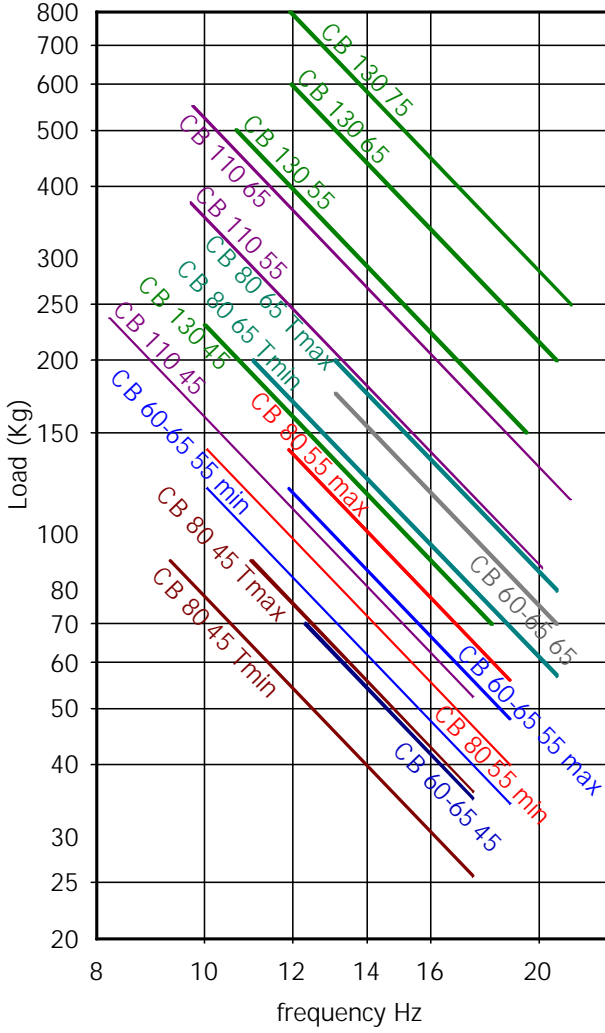


## DIMENSIONS

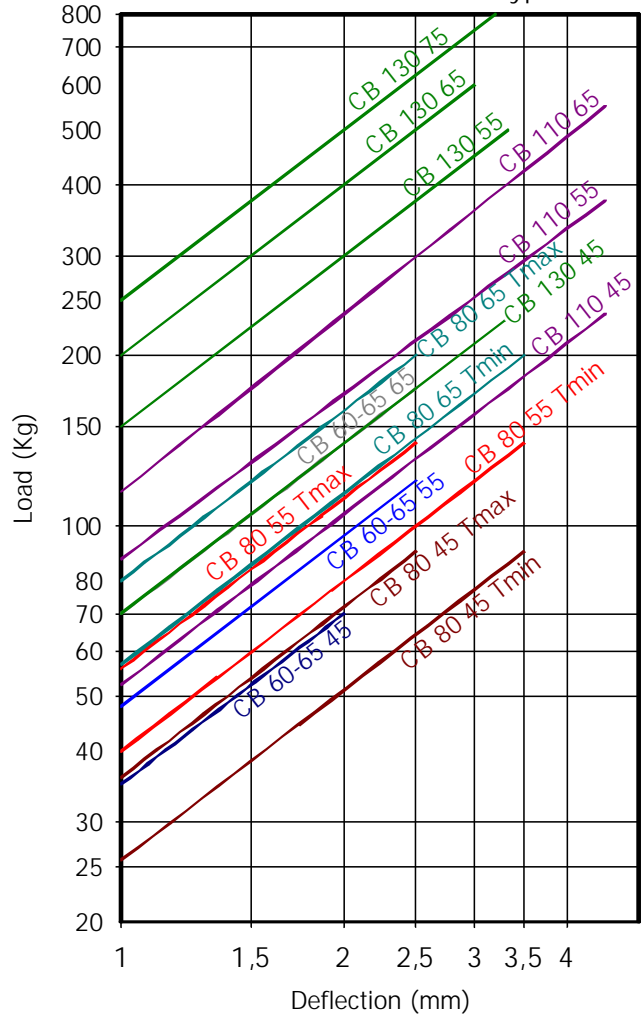
Type	T (Max.)	T (Min.)	Weight (gr.)	WASHER	BOLT SIZE (Metric)	BOLT SIZE (Imperial)	Shore	Max. Load (kg)	Code
CB 130	40	40	1200	608278	M30	1/8"	45 Sh	230	156026
							55 Sh	500	156027
							65 Sh	600	156028
							70 Sh	800	156029

Elastical properties

**NATURAL FREQUENCY**  
AMC-MECANCAUCHO® Type CB



**LOAD DEFLECTION CURVE**  
AMC-MECANCAUCHO® Type CB



### OPERATION AND ASSEMBLY



Washers should be used, if the rubber surface is not covered with the contact surface.

### ADVANTAGES



The specific design of the mounts permits high dynamic loads whilst limiting the movement due to the multiple axial snubbing design.