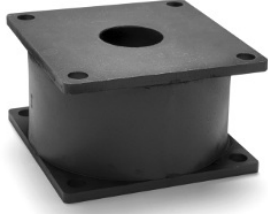



Rubber Metal anti vibration mounts


TYPE P




AMC
MECANOCAUCHO
NOISE AND
VIBRATION
SOLUTIONS



 **AMC MECANOCAUCHO**
Industrialdea Zona A - Pab. 35.
Asteasu E-20159, Gipuzkoa
Spain

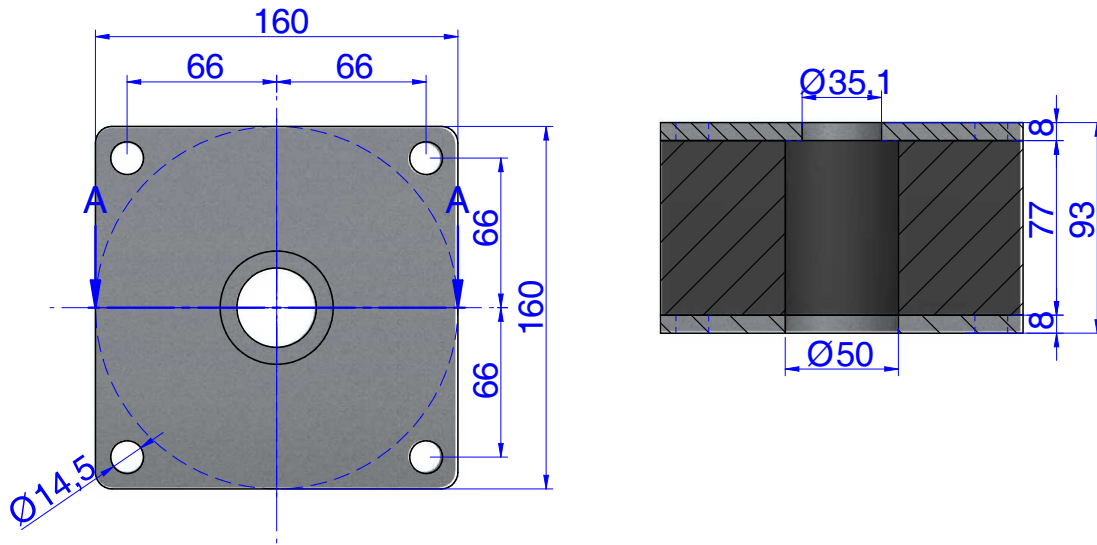
 Tel.: +34 943 69 61 02
Fax: +34 943 69 62 19

 sales@amcsa.es

 www.mecanocaucho.com
www.akustik.com

In order to adapt its products to the state of the art, AMC S.A. reserves the right to modify the conception and manufacture of the materials presented in this catalogue without prior notice.

DRAWINGS

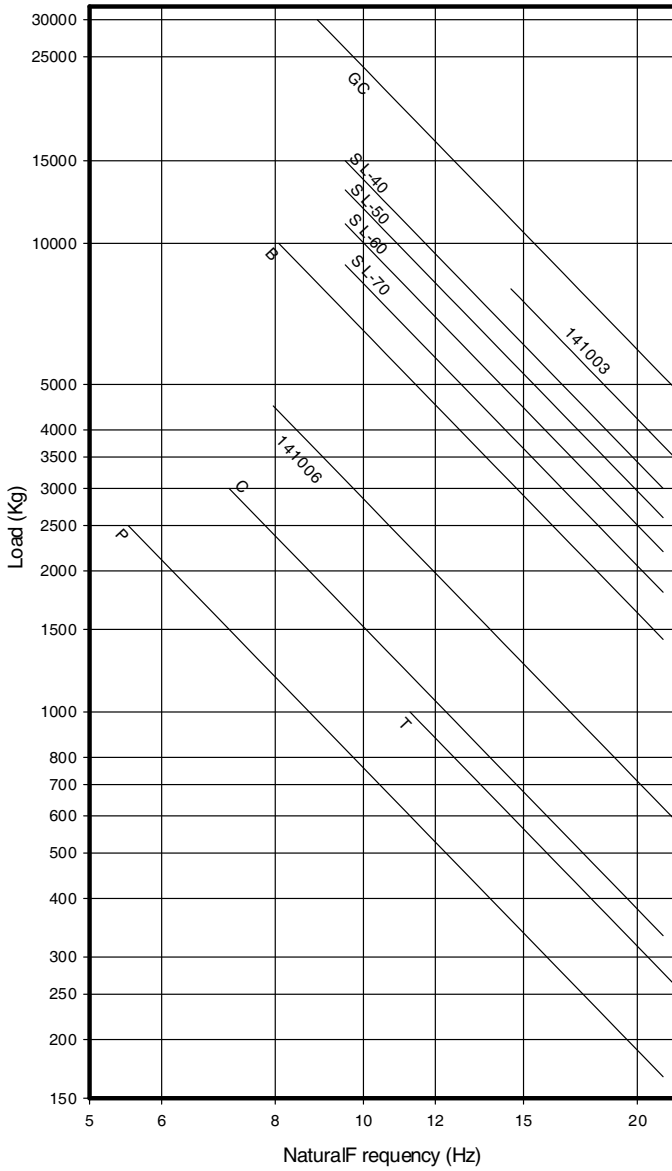


DIMENSIONS

Type	DEFLECTION mm	Weight (kg)	Max. Load (kg)	Code
Type P	15	4,499	2500	141005

Elastical properties

**NATURAL FREQUENCY
HIGH LOAD MOUNTS**



**LOAD DEFLECTION CURVES
HIGH LOAD MOUNTS**

