

# ECCENTRIC BUSHINGS



In eccentric bushings the center points of the inner and outer cylinders are not the same. As a result it is more flexible in the direction of the main load and it keeps the same control in the other direction.

The eccentric bushing is available in two hardnesses, 45 and 60 sh.

## TECHNICAL CHARACTERISTICS

- Optimal vibration damping and isolation.
- Fit to use for robust and safe constructions.
- Simple installation and application.
- Maximum load of bushing 45sh is about 300kg.
- Maximum load of bushing 60sh is about 460kg.

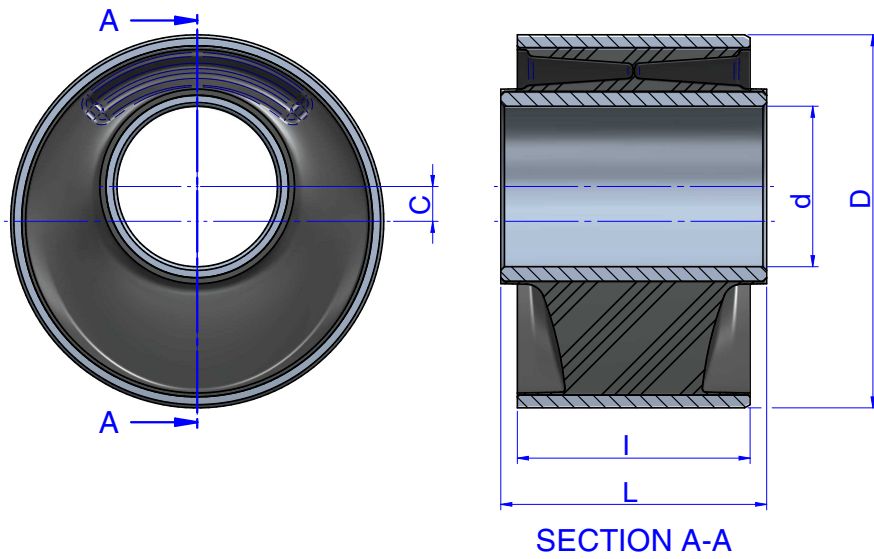
## APPLICATIONS

The AMC MECANOCAUCHO® eccentric bushing is best suited to the following situations and applications:

- Tilting cab suspension.
- -Suspension arms.



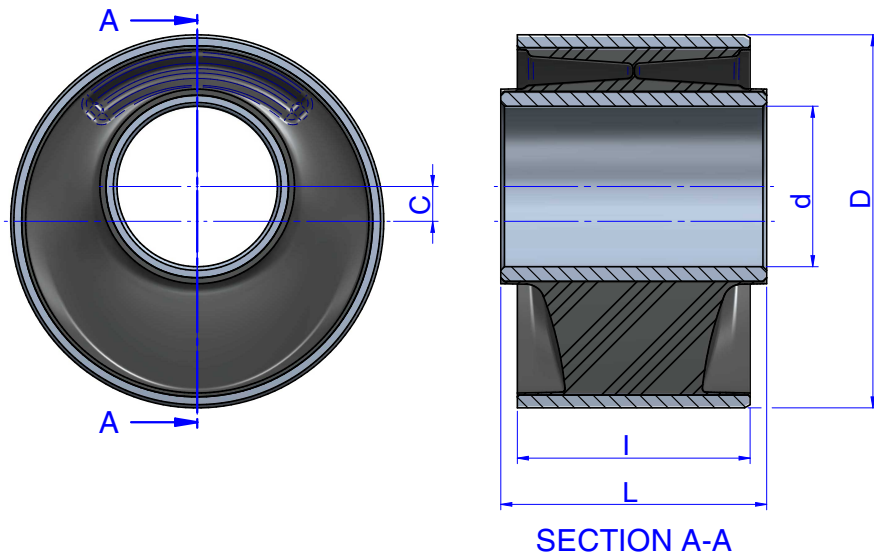
DRAWINGS



DIMENSIONS

Type	d (mm)	C (mm)	D (mm)	I (mm)	L (mm)	Weight (gr.)	Shore	Max. Load (kg)	Code
MINI	16,2	6,1	48	50,5	64	311	45 Sh	110	154161
							60 Sh	180	154163

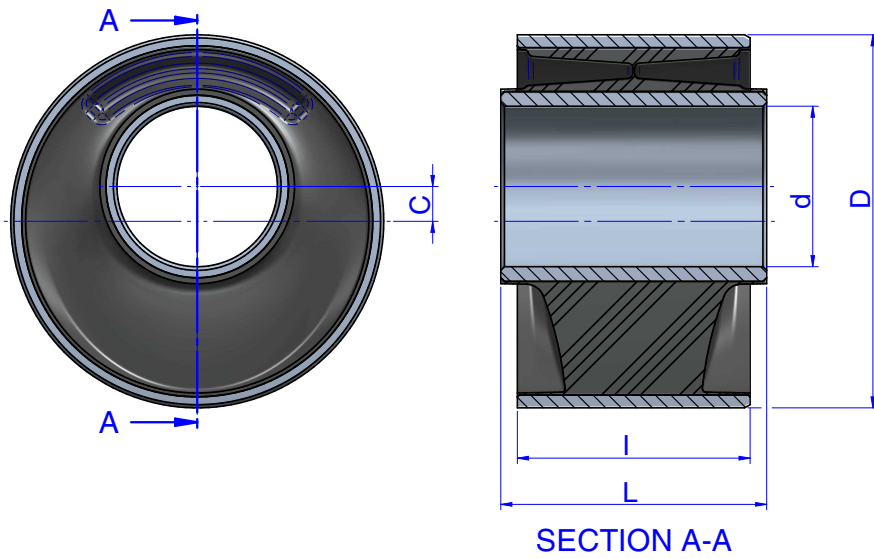
DRAWINGS



DIMENSIONS

Type	d (mm)	C (mm)	D (mm)	I (mm)	L (mm)	Weight (gr.)	Shore	Max. Load (kg)	Code
SMALL	24	10,5	75.6	50,8	68	554	45 Sh	200	154159
							60 Sh	390	154158

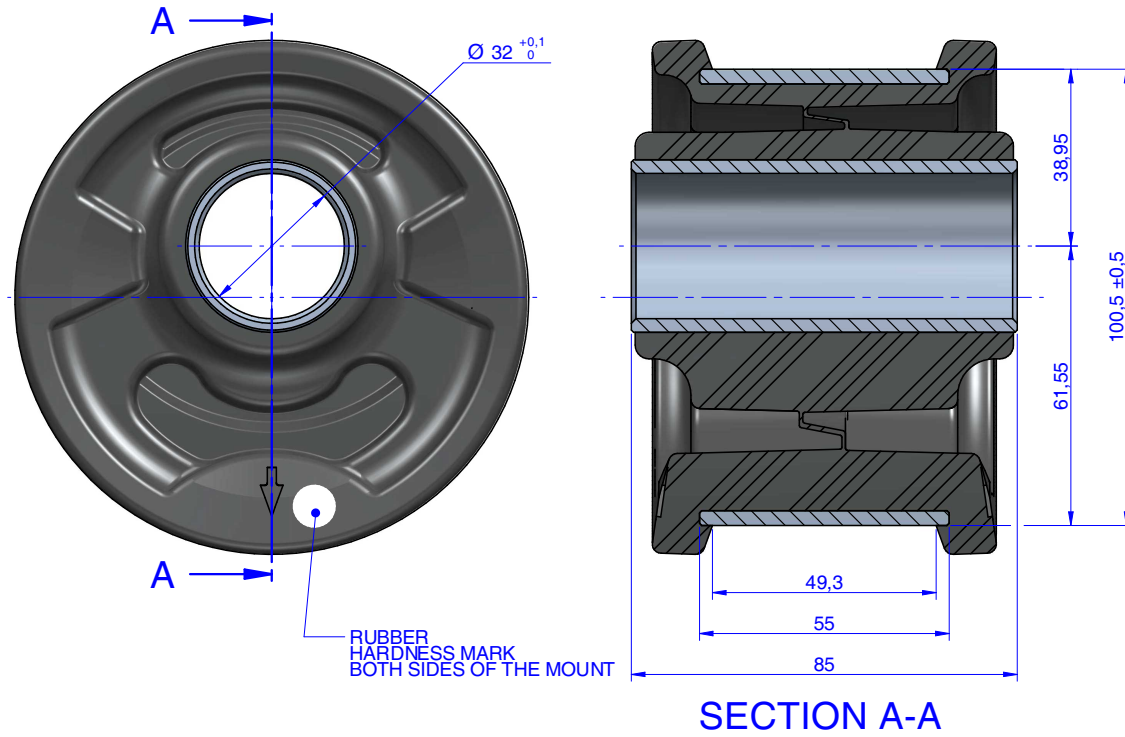
DRAWINGS



DIMENSIONS

Type	d (mm)	C (mm)	D (mm)	I (mm)	L (mm)	Weight (gr.)	Shore	Max. Load (kg)	Code
LARGE	43,7	9,5	101,6	63,4	72,4	1096	45 Sh	290	154154
							60 Sh	510	154155

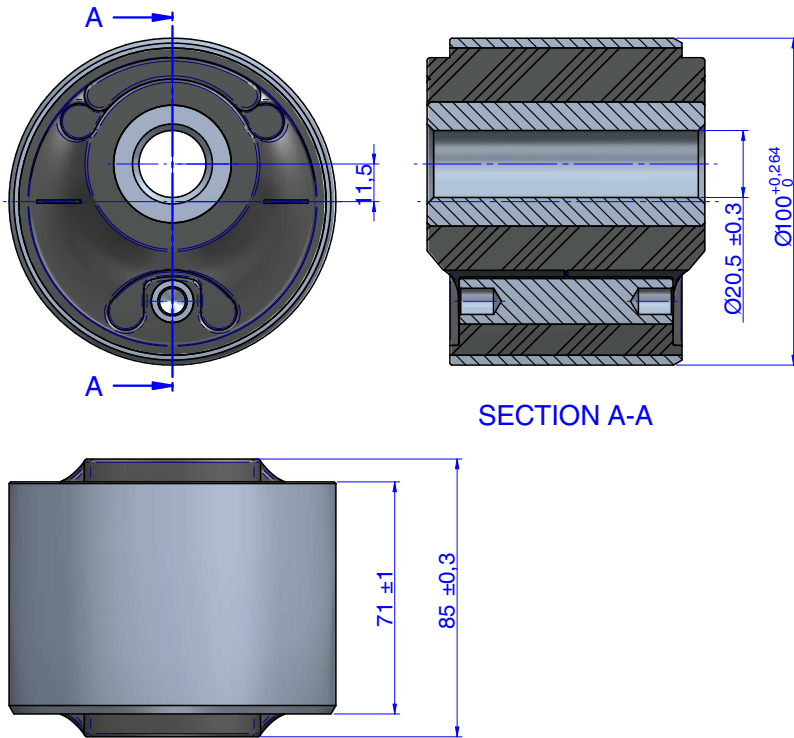
DRAWINGS



DIMENSIONS

Type	d (mm)	C (mm)	D (mm)	I (mm)	L (mm)	Weight (gr.)	Shore	Max. Load (kg)	Code
100 HD	-	-	-	-	-	1046	50 Sh	290	154181
							55 Sh	350	154182
							60 Sh	430	154183
							70 Sh	565	154184

DRAWINGS

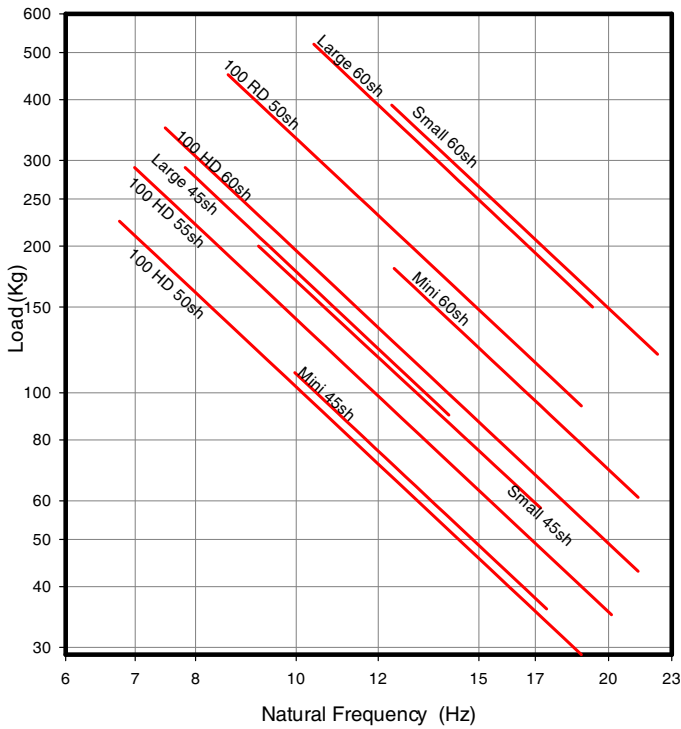


DIMENSIONS

Type	d (mm)	C (mm)	D (mm)	I (mm)	L (mm)	Weight (gr.)	Shore	Max. Load (kg)	Code
100 RD	-	-	-	-	-	1558	50 Sh	450	154175

Elastical properties

AMC MECANOCAUCHO®  
 LOAD NATURAL FREQUENCY CURVE



AMC MECANOCAUCHO®  
 LOAD DEFLECTION CURVE

