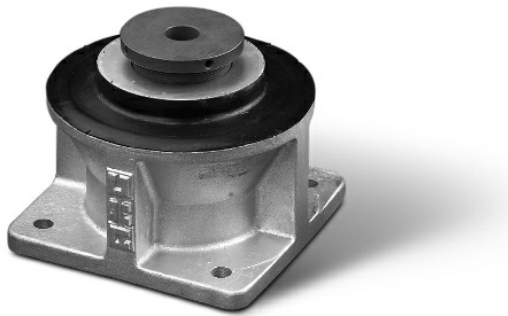


CONES WITH FIXATION FLANGE



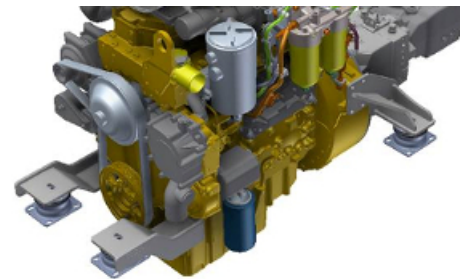
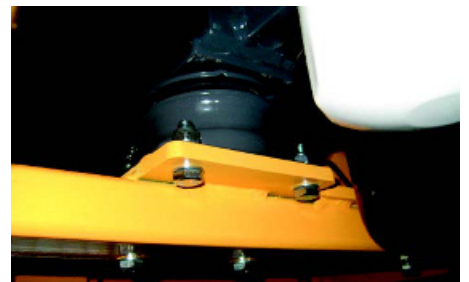
The Cones with fixation flange from AMC-Mekanocaucho® work the elastomer in shear and compression. They are comprised of a high strength external metal casing and a conical mount that is placed inside the casing .

TECHNICAL CHARACTERISTICS

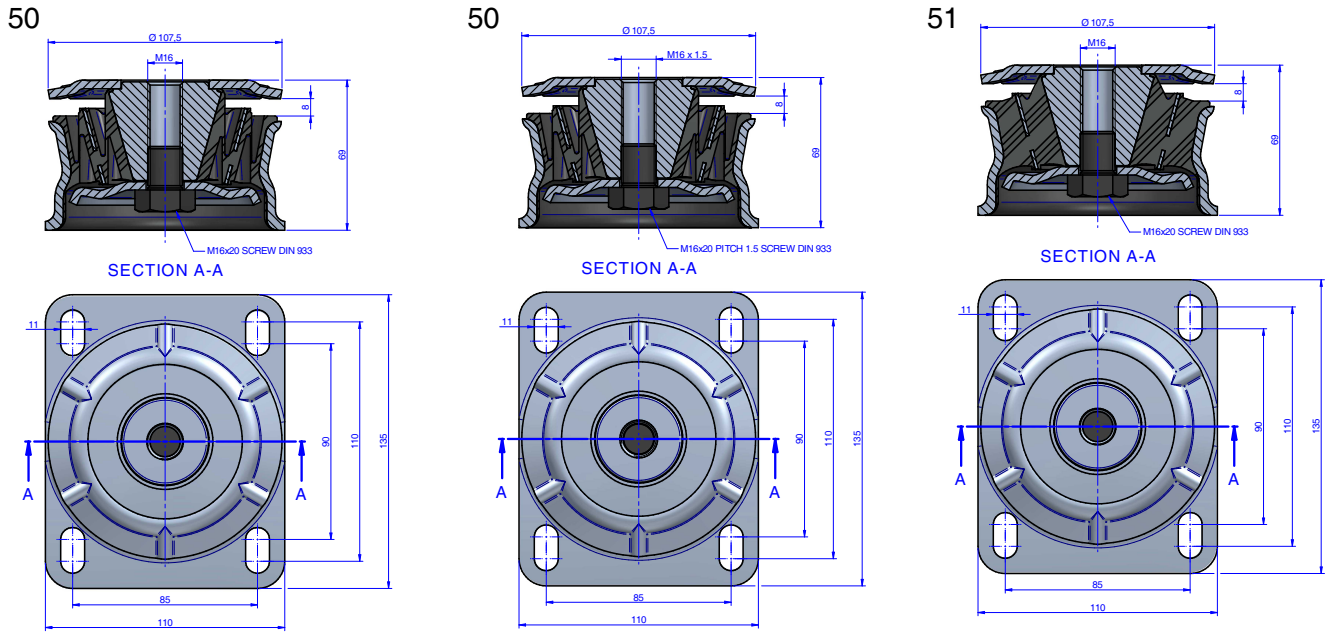
The cones with fixation flange from AMC-Mekanocaucho® were designed to offer excellent axial elasticity under heavy loads. The elastomer used is a low dynamic stiffness compound , which makes it possible to obtain low natural frequencies thus maintaining excellent stability of the suspended unit. The mounts radial stiffness is greater than the axial rate . This is particularly interesting for applications where horizontal stability needs to be maintained. The AMC-Mekanocaucho® Cone 100 mount is supplied with a height adjuster. This makes it possible to easily align transmission shafts without having to use additional accessories to do so. All models also incorporate an interlocking metal part that acts as a FAILSAFE system. Thanks to this, and to the ruggedness of the metal parts, this mount is suitable for applications where the suspended unit is submitted to great shocks.

APPLICATIONS

AMC-Mekanocaucho® cones with fixation flanges have been designed specially for use in engines and auxiliary machinery for static and mobile applications in all kinds of vehicles.



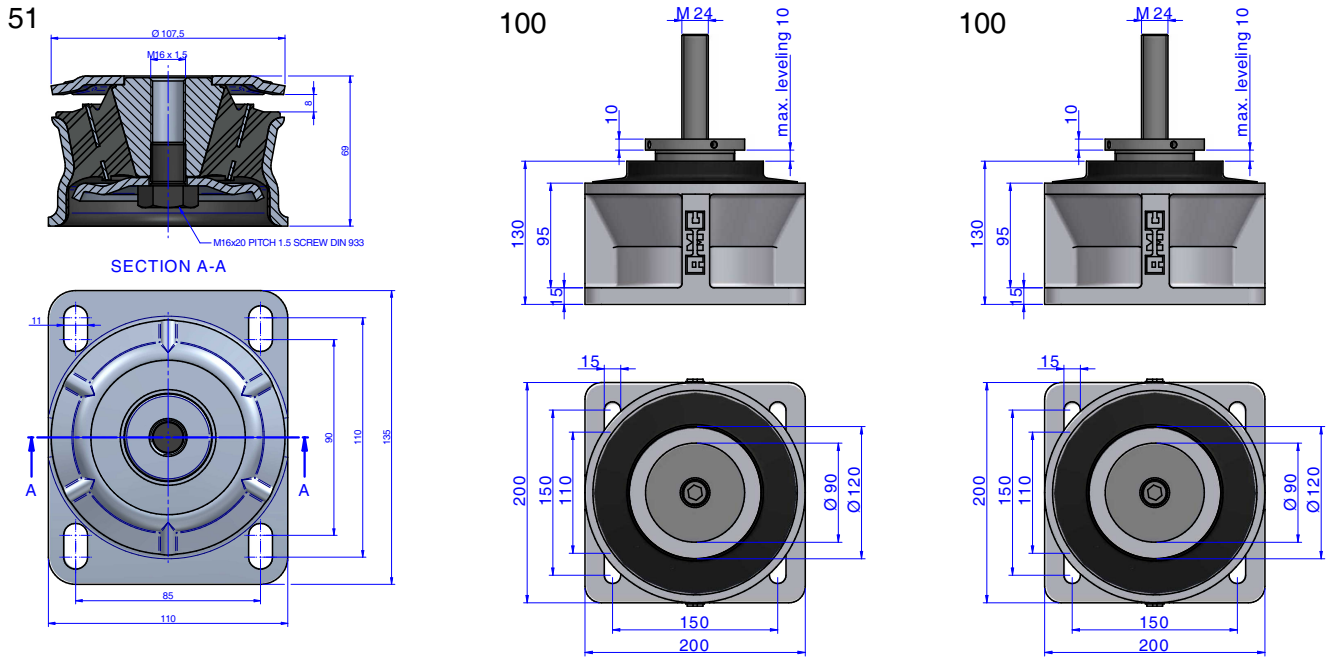
DRAWINGS



DIMENSIONS

Type	Weight (g.)	Load (kg)	Shore	Code
Cone 50 M16x2	1600	120	40 Sh	137085
		170	50 Sh	137086
		250	60 Sh	137087
		300	70 Sh	137088
Cone 50 M16x1,5	1600	120	40 Sh	137231
		170	50 Sh	137233
		250	60 Sh	137235
		300	70 Sh	137237
Cone 51 M16x2	1750	150	40 Sh	137095
		220	50 Sh	137096
		320	60 Sh	137097
		420	70 Sh	137098

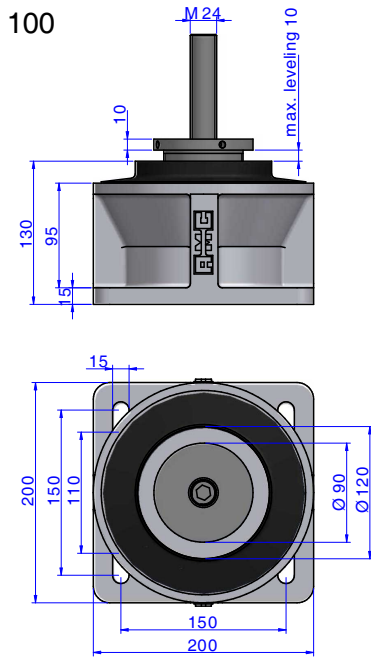
DRAWINGS



DIMENSIONS

Type	Weight (g.)	Load (kg)	Shore	Code
Cone 51 M16x1,5	1750	150	40 Sh	137241
		220	50 Sh	137243
		320	60 Sh	137245
		420	70 Sh	137247
Cone 100 A	9626	3750	-	137213
Cone 100 B	9626	2300	-	137214

DRAWINGS



DIMENSIONS

Type	Weight (gr.)	Load (kg)	Shore	Code
Cone 100 C	9626	1600	-	137215

Elastical properties

